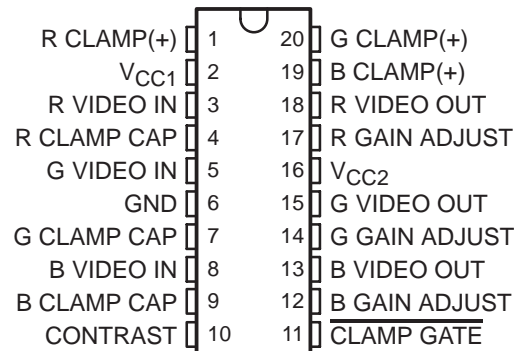


# TLS1233 VIDEO PREAMPLIFIER SYSTEM

SLVS126C – JULY 1995 – REVISED JUNE 1996

- Wide Bandwidth . . . Typ 100 MHz at –3 dB
- Three Channels
- 0 V to 4 V, Digital Level-Contrast Control
- 0 V to 4 V, Digital Level-Gain Adjust Control
- 20-Pin Plastic DIP for Small PCB Area Required
- Fewer Peripheral Components Required Than for LM1203 Applications
- Independent CLAMP(+) Adjustment to Each Channel

N PACKAGE  
(TOP VIEW)

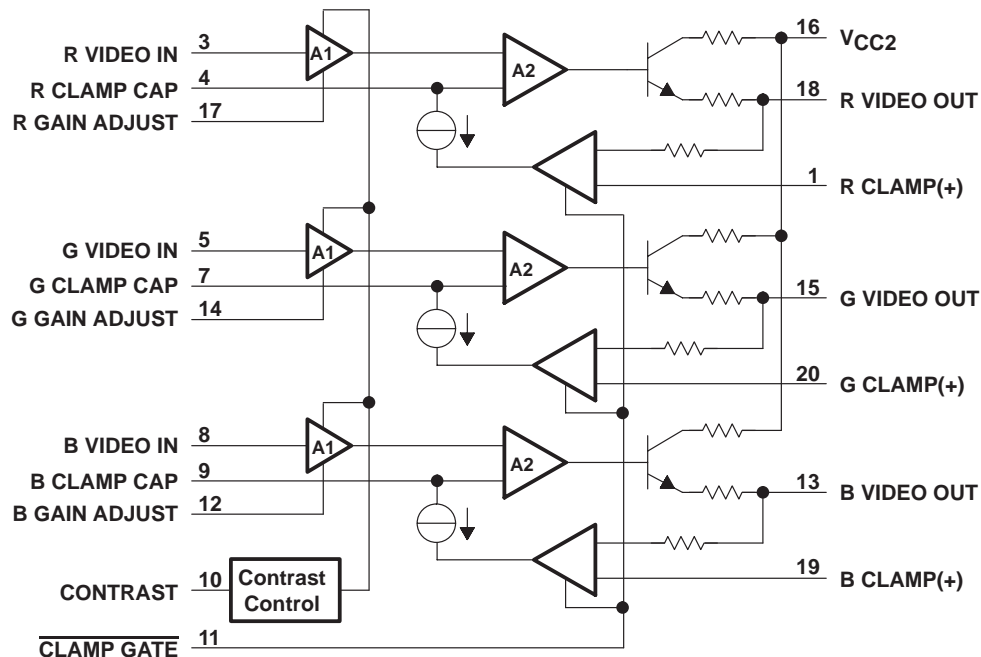


## description

The TLS1233 is a 100-MHz wide-band video preamplifier system intended for mid-to-high-resolution RGB (red-green-blue) color monitors. Each video amplifier (R, G, and B) contains a gain set for adjusting maximum system gain ( $A_V = 7.8$  V/V). The TLS1233 provides digital level-operated contrast, brightness, and gain adjustment control. All the control inputs offer high input impedance and an operation range from 0 V to 4 V for easy interface to the serial digital buses. Provided in a 20-pin plastic dual-in-line package (DIP), the TLS1233 integrates most of the external components required to accommodate the video system.

The TLS1233 operates from a 12-V supply and contains an internal input bias voltage. Also, the TLS1233 contains the feedback resistor required between output and CLAMP(–) for dc level holding. The device is characterized for operation from 0°C to 70°C.

## functional block diagram



Please be aware that an important notice concerning availability, standard warranty, and use in critical applications of Texas Instruments semiconductor products and disclaimers thereto appears at the end of this data sheet.

PRODUCTION DATA information is current as of publication date. Products conform to specifications per the terms of Texas Instruments standard warranty. Production processing does not necessarily include testing of all parameters.

**TEXAS  
INSTRUMENTS**

POST OFFICE BOX 655303 • DALLAS, TEXAS 75265  
POST OFFICE BOX 1443 • HOUSTON, TEXAS 77251-1443

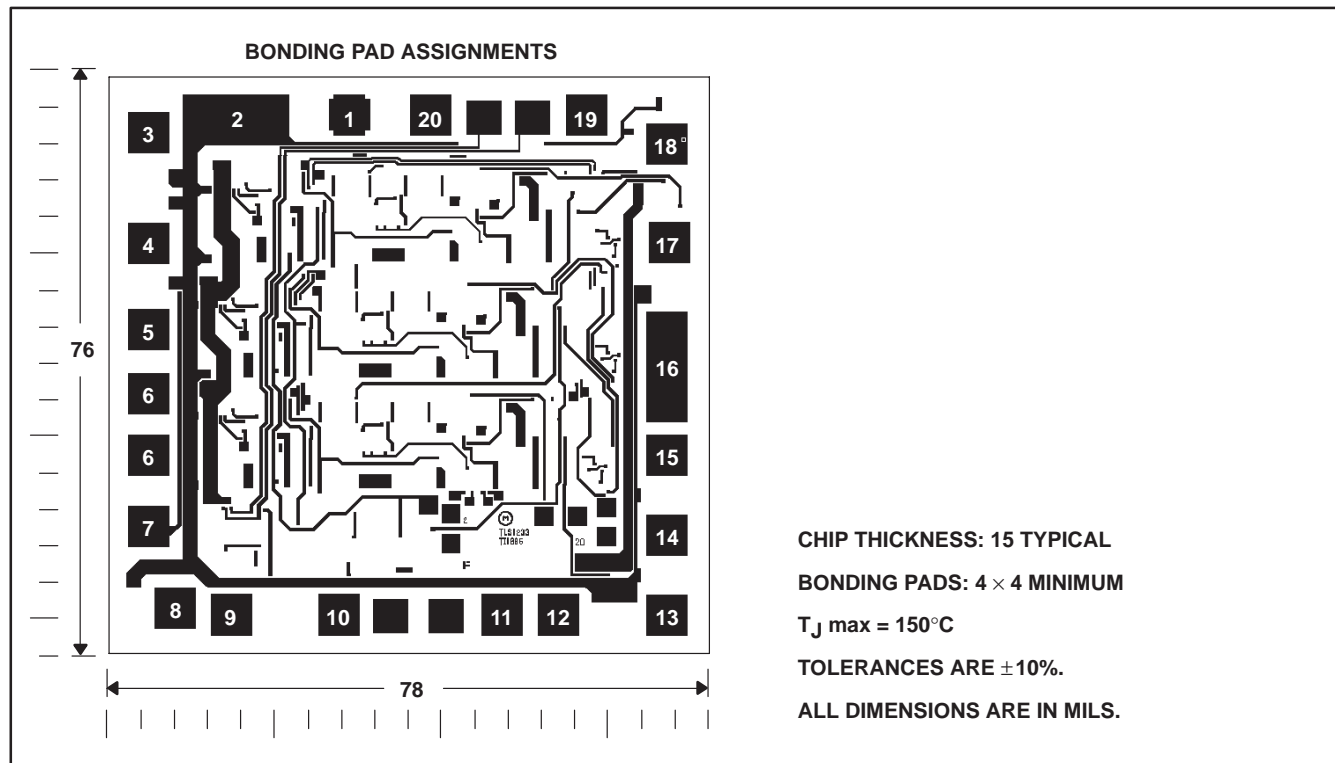
Copyright © 1996, Texas Instruments Incorporated

# TLS1233 VIDEO PREAMPLIFIER SYSTEM

SLVS126C – JULY 1995 – REVISED JUNE 1996

## TLS1233Y chip information

This chip, when properly assembled, displays characteristics similar to the TLS1233. Thermal compression or ultrasonic bonding may be used on the doped-aluminum bonding pads. The chips may be mounted with conductive epoxy or a gold-silicon preform.



### absolute maximum ratings over operating free-air temperature range (unless otherwise noted)†

Supply voltage, $V_{CC}$	13.5 V
Input voltage range, $V_I$ (see Note 1)	0 V to $V_{CC}$
Video output current, $I_O$ (per channel)	28 mA
Total power dissipation at (or below) 25°C free-air temperature (see Note 2)	1.87 W
Operating virtual junction temperature range, $T_J$	-55°C to 150°C
Operating free-air temperature range, $T_A$	0°C to 70°C
Storage temperature range, $T_{stg}$	-65°C to 150°C
Lead temperature 1,6 mm (1/16 inch) from case for 10 seconds	260°C

† Stresses beyond those listed under "absolute maximum ratings" may cause permanent damage to the device. These are stress ratings only, and functional operation of the device at these or any other conditions beyond those indicated under "recommended operating conditions" is not implied. Exposure to absolute-maximum-rated conditions for extended periods may affect device reliability.

- NOTES: 1. All  $V_{CC}$  terminals must be externally wired together to prevent internal damage during  $V_{CC}$  power-on/-off cycles.  
 2. For operation above 25°C free-air temperature, derate linearly from 1.87 W ( $T_A = 25^\circ\text{C}$ ) to 1.2 W ( $T_A = 70^\circ\text{C}$ ). This equates to a derating factor of 15 mW/°C.



**recommended operating conditions**

	MIN	NOM	MAX	UNIT	
Supply voltage, $V_{CC1}$ and $V_{CC2}$	11	12	13	V	
High-level input voltage range, $\overline{\text{CLAMP GATE}}$ , $V_{IH}$	Clamp comparators off		2.4	5	V
Low-level input voltage range, $\overline{\text{CLAMP GATE}}$ , $V_{IL}$	Clamp comparators on		0	0.8	V
Operating free-air temperature, $T_A$	0		70	°C	

**electrical characteristics at 25°C free-air temperature range,  $\overline{\text{CLAMP GATE}} = 0$  V,  $\text{CLAMP}(+) = 2$  V,  $\text{CONTRAST} = \text{R,G,B GAIN ADJUST} = 4$  V,  $V_{CC1} = V_{CC2} = 12$  V (see Figure 2) (unless otherwise noted)**

PARAMETER	ALTERNATE SYMBOL	TEST CONDITIONS	MIN	TYP	MAX	UNIT
$I_{CC}$ Supply current		$V_{CC1} + V_{CC2}$		84	94	mA
$V_{ref}$ Video input reference voltage		Measure R/G/B video input	2.1	2.3	2.5	V
$I_I$ Contrast and R,G,B GAIN ADJUST input current		Measure CONTRAST, R/G/B GAIN ADJUST		-0.5	-10	μA
$I_{IL}$ Clamp gate low input current		$\overline{\text{CLAMP GATE}} = 0$ V		-0.5	-2.4	μA
$I_{IH}$ Clamp gate high input current		$\overline{\text{CLAMP GATE}} = 12$ V		0.005	1	μA
Clamp capacitor charge current	$I_{K(chg)}$	R,G,B CLAMP CAP = 0 V		1		mA
Clamp capacitor discharge current	$I_{K(dschg)}$	R,G,B CLAMP CAP = 5 V		-1		mA
$V_{OL}$ Low-level output voltage		R,G,B CLAMP CAP = 0 V		0.3		V
$V_{OH}$ High-level output voltage		R,G,B CLAMP CAP = 5 V		7.8		V
$V_{O(diff)}$ Output voltage difference	$V_{O(diff)}$	Between any two channels		±0.5	±50	mV

**operating characteristics at 25°C free-air temperature,  $\overline{\text{CLAMP GATE}} = 0$  V,  $\text{CLAMP}(+) = 4$  V,  $\text{CONTRAST} = \text{R,G,B GAIN ADJUST} = 4$  V,  $f_I = 10$  kHz,  $V_{CC1} = V_{CC2} = 12$  V (unless otherwise noted)**

PARAMETER	ALTERNATE SYMBOL	TEST CONDITIONS	MIN	TYP	MAX	UNIT
$A_{V(max)}$ Maximum voltage amplification	$A_{VMAX}$	CONTRAST = 4 V, $V_{I(PP)} = 700$ mV		7.8		V/V
$A_{V(mid)}$ Midrange voltage amplification	$A_{VMID}$	CONTRAST = 2 V, $V_{I(PP)} = 700$ mV		2		V/V
Contrast voltage for minimum amplification	$V_{CONT-LOW}$	$V_{I(PP)} = 1$ V, See Note 3		1		V
Amplification match at $A_{V(max)}$	$A_{Vmax(diff)}$	CONTRAST = 4 V, See Note 4		±0.2		dB
Amplification match at $A_{V(mid)}$	$A_{Vmid(diff)}$	CONTRAST = 2 V, See Note 3		±0.2		dB
Amplification match at $A_{V(low)}$	$A_{Vlow(diff)}$	CONTRAST = $V_{CONT-LOW}$ . See Note 3 and 4		±0.2		dB
THD Total harmonic distortion		CONTRAST = 1 V, $V_{I(PP)} = 1$ V		0.5		%
BW Amplifier bandwidth	$BW(-3\text{ dB})$	CONTRAST = 4 V, See Notes 5 And 7		100		MHz
Crosstalk attenuation	$a_x$	CONTRAST = 4 V, $f = 10$ kHz, See Note 6		60		dB
		CONTRAST = 4 V, See Notes 6 or 7 $f = 10$ MHz,		40		dB
Pulse test for rise time	$t_r$	CONTRAST = 4 V, $\text{CLAMP}(+) = 2$ V,		3		ns
Pulse test for fall time	$t_f$	$V_{O(PP)} = 4$ V See Notes 5 and 7		4		ns

- NOTES: 3. Determine  $V_{CONT-LOW}$  for -40 dB attenuation of output. Reference to  $A_{V(max)}$ .  
 4. Measure gain difference between any two amplifiers,  $V_{I(PP)} = 1$  V.  
 5. Adjust input frequency from 10 kHz ( $A_{V(max)}$  reference level) to the -3-dB corner frequency ( $f - 3$  dB).  $V_{I(PP)} = 700$  mV.  
 6.  $V_{I(PP)} = 700$  mV at  $f = 10$  kHz to any amplifier. Measure output levels of the other two undriven amplifiers relative to driven amplifier.  
 7. A special test fixture without a socket and a double-sided full-ground-plane PC board are required.



# TLS1233 VIDEO PREAMPLIFIER SYSTEM

SLVS126C – JULY 1995 – REVISED JUNE 1996

## PARAMETER MEASUREMENT INFORMATION

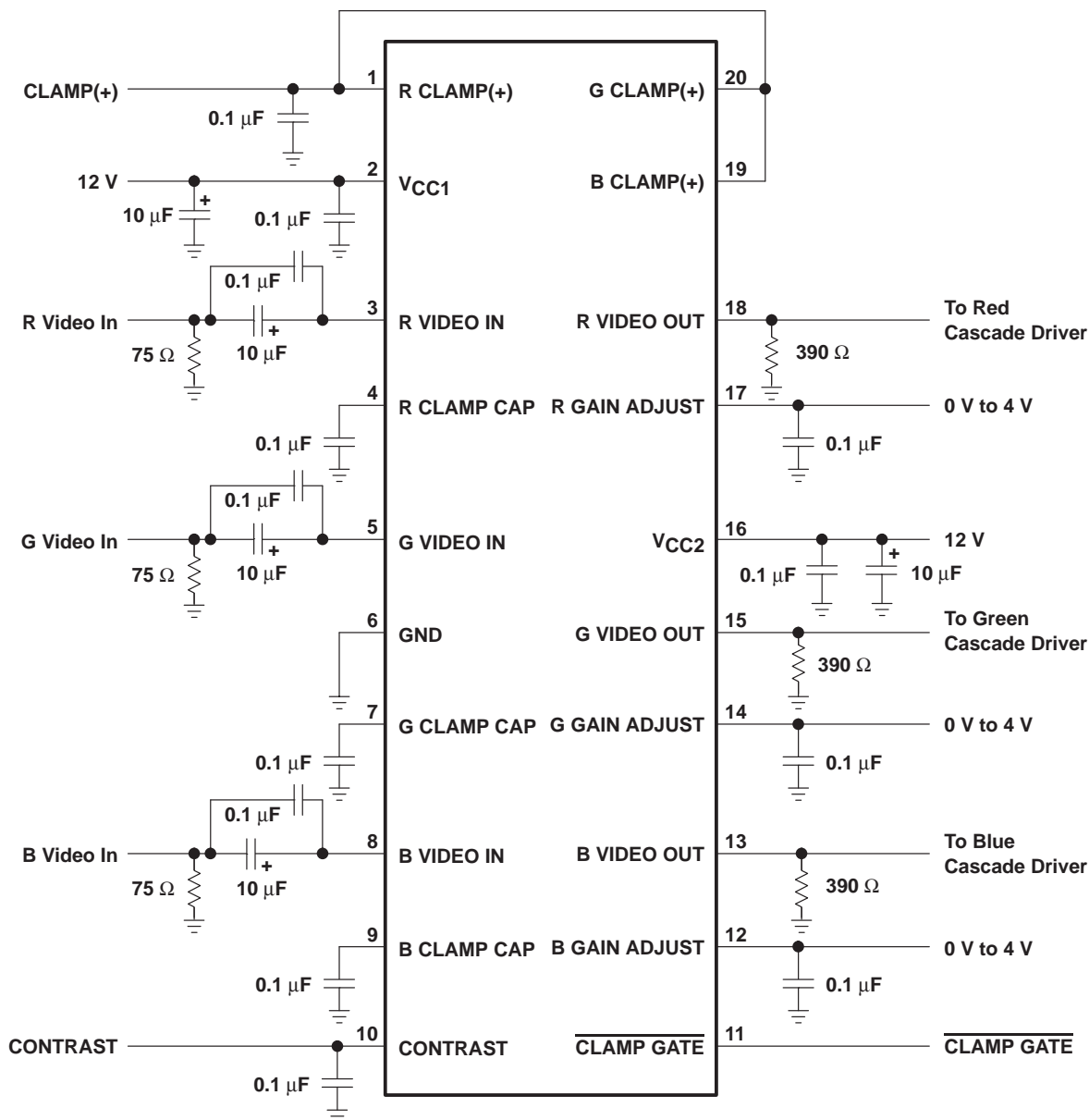
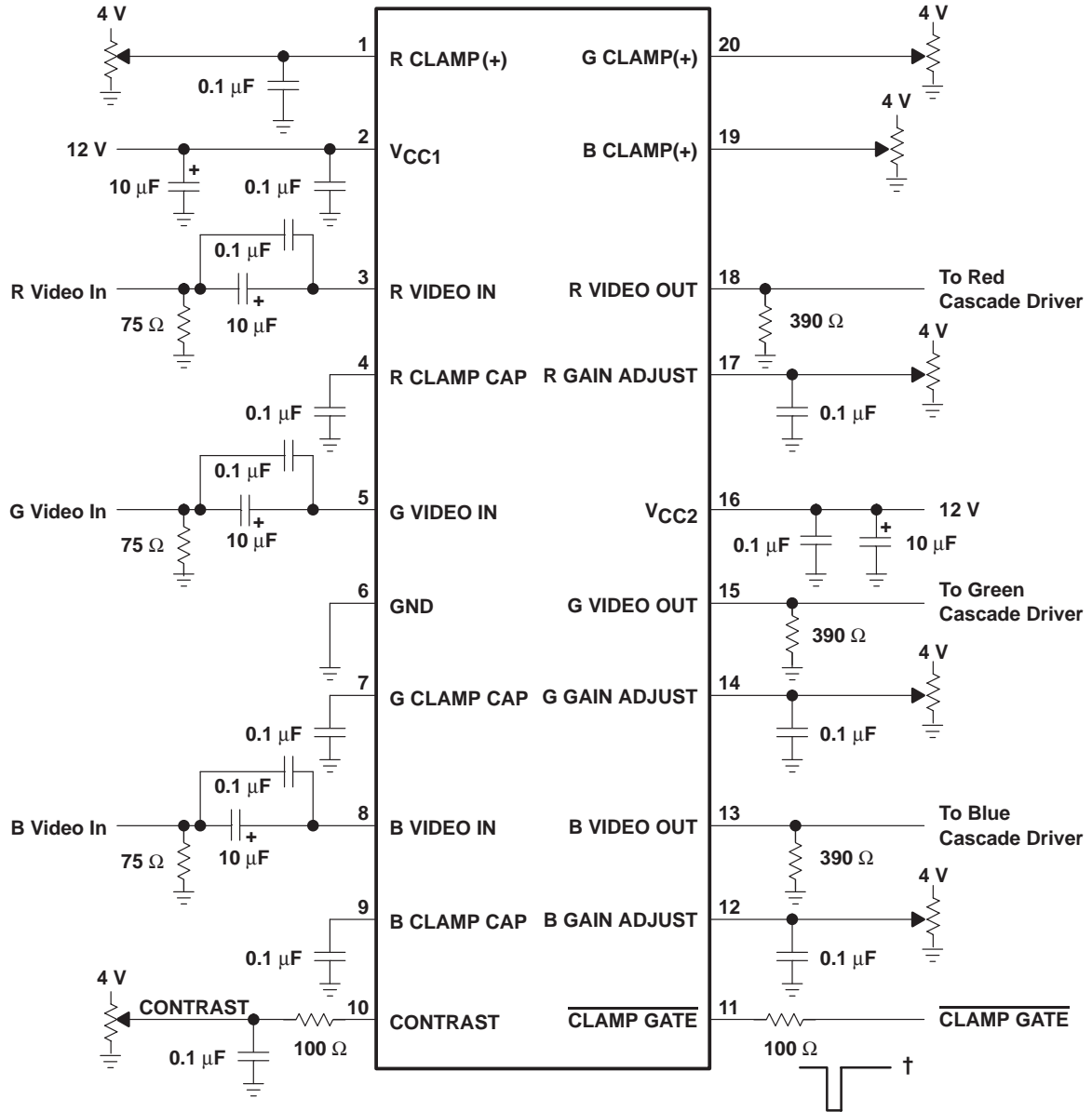


Figure 1. Test Circuit

APPLICATION INFORMATION



† Minimum pulse width: 300 ns

Figure 2. Application Circuit

# TLS1233 VIDEO PREAMPLIFIER SYSTEM

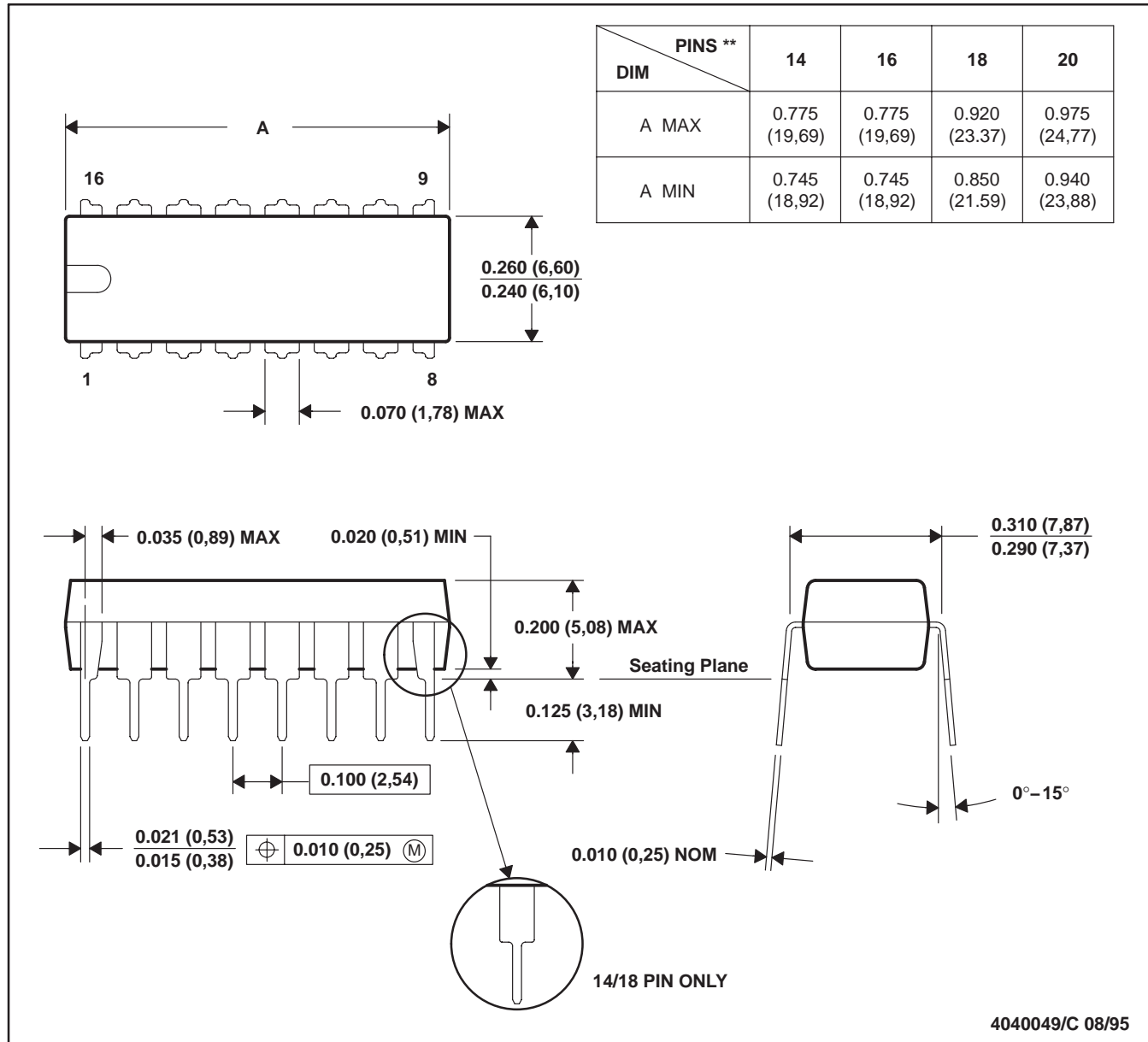
SLVS126C – JULY 1995 – REVISED JUNE 1996

## MECHANICAL DATA

N (R-PDIP-T\*\*)

PLASTIC DUAL-IN-LINE PACKAGE

16 PIN SHOWN



- NOTES: A. All linear dimensions are in inches (millimeters).  
 B. This drawing is subject to change without notice.  
 C. Falls within JEDEC MS-001 (20 pin package is shorter than MS-001.)

## IMPORTANT NOTICE

Texas Instruments Incorporated and its subsidiaries (TI) reserve the right to make corrections, modifications, enhancements, improvements, and other changes to its products and services at any time and to discontinue any product or service without notice. Customers should obtain the latest relevant information before placing orders and should verify that such information is current and complete. All products are sold subject to TI's terms and conditions of sale supplied at the time of order acknowledgment.

TI warrants performance of its hardware products to the specifications applicable at the time of sale in accordance with TI's standard warranty. Testing and other quality control techniques are used to the extent TI deems necessary to support this warranty. Except where mandated by government requirements, testing of all parameters of each product is not necessarily performed.

TI assumes no liability for applications assistance or customer product design. Customers are responsible for their products and applications using TI components. To minimize the risks associated with customer products and applications, customers should provide adequate design and operating safeguards.

TI does not warrant or represent that any license, either express or implied, is granted under any TI patent right, copyright, mask work right, or other TI intellectual property right relating to any combination, machine, or process in which TI products or services are used. Information published by TI regarding third-party products or services does not constitute a license from TI to use such products or services or a warranty or endorsement thereof. Use of such information may require a license from a third party under the patents or other intellectual property of the third party, or a license from TI under the patents or other intellectual property of TI.

Reproduction of TI information in TI data books or data sheets is permissible only if reproduction is without alteration and is accompanied by all associated warranties, conditions, limitations, and notices. Reproduction of this information with alteration is an unfair and deceptive business practice. TI is not responsible or liable for such altered documentation. Information of third parties may be subject to additional restrictions.

Resale of TI products or services with statements different from or beyond the parameters stated by TI for that product or service voids all express and any implied warranties for the associated TI product or service and is an unfair and deceptive business practice. TI is not responsible or liable for any such statements.

TI products are not authorized for use in safety-critical applications (such as life support) where a failure of the TI product would reasonably be expected to cause severe personal injury or death, unless officers of the parties have executed an agreement specifically governing such use. Buyers represent that they have all necessary expertise in the safety and regulatory ramifications of their applications, and acknowledge and agree that they are solely responsible for all legal, regulatory and safety-related requirements concerning their products and any use of TI products in such safety-critical applications, notwithstanding any applications-related information or support that may be provided by TI. Further, Buyers must fully indemnify TI and its representatives against any damages arising out of the use of TI products in such safety-critical applications.

TI products are neither designed nor intended for use in military/aerospace applications or environments unless the TI products are specifically designated by TI as military-grade or "enhanced plastic." Only products designated by TI as military-grade meet military specifications. Buyers acknowledge and agree that any such use of TI products which TI has not designated as military-grade is solely at the Buyer's risk, and that they are solely responsible for compliance with all legal and regulatory requirements in connection with such use.

TI products are neither designed nor intended for use in automotive applications or environments unless the specific TI products are designated by TI as compliant with ISO/TS 16949 requirements. Buyers acknowledge and agree that, if they use any non-designated products in automotive applications, TI will not be responsible for any failure to meet such requirements.

Following are URLs where you can obtain information on other Texas Instruments products and application solutions:

### Products

Amplifiers	<a href="http://amplifier.ti.com">amplifier.ti.com</a>
Data Converters	<a href="http://dataconverter.ti.com">dataconverter.ti.com</a>
DSP	<a href="http://dsp.ti.com">dsp.ti.com</a>
Clocks and Timers	<a href="http://www.ti.com/clocks">www.ti.com/clocks</a>
Interface	<a href="http://interface.ti.com">interface.ti.com</a>
Logic	<a href="http://logic.ti.com">logic.ti.com</a>
Power Mgmt	<a href="http://power.ti.com">power.ti.com</a>
Microcontrollers	<a href="http://microcontroller.ti.com">microcontroller.ti.com</a>
RFID	<a href="http://www.ti-rfid.com">www.ti-rfid.com</a>
RF/IF and ZigBee® Solutions	<a href="http://www.ti.com/lprf">www.ti.com/lprf</a>

### Applications

Audio	<a href="http://www.ti.com/audio">www.ti.com/audio</a>
Automotive	<a href="http://www.ti.com/automotive">www.ti.com/automotive</a>
Broadband	<a href="http://www.ti.com/broadband">www.ti.com/broadband</a>
Digital Control	<a href="http://www.ti.com/digitalcontrol">www.ti.com/digitalcontrol</a>
Medical	<a href="http://www.ti.com/medical">www.ti.com/medical</a>
Military	<a href="http://www.ti.com/military">www.ti.com/military</a>
Optical Networking	<a href="http://www.ti.com/opticalnetwork">www.ti.com/opticalnetwork</a>
Security	<a href="http://www.ti.com/security">www.ti.com/security</a>
Telephony	<a href="http://www.ti.com/telephony">www.ti.com/telephony</a>
Video & Imaging	<a href="http://www.ti.com/video">www.ti.com/video</a>
Wireless	<a href="http://www.ti.com/wireless">www.ti.com/wireless</a>

Mailing Address: Texas Instruments, Post Office Box 655303, Dallas, Texas 75265  
Copyright © 2008, Texas Instruments Incorporated